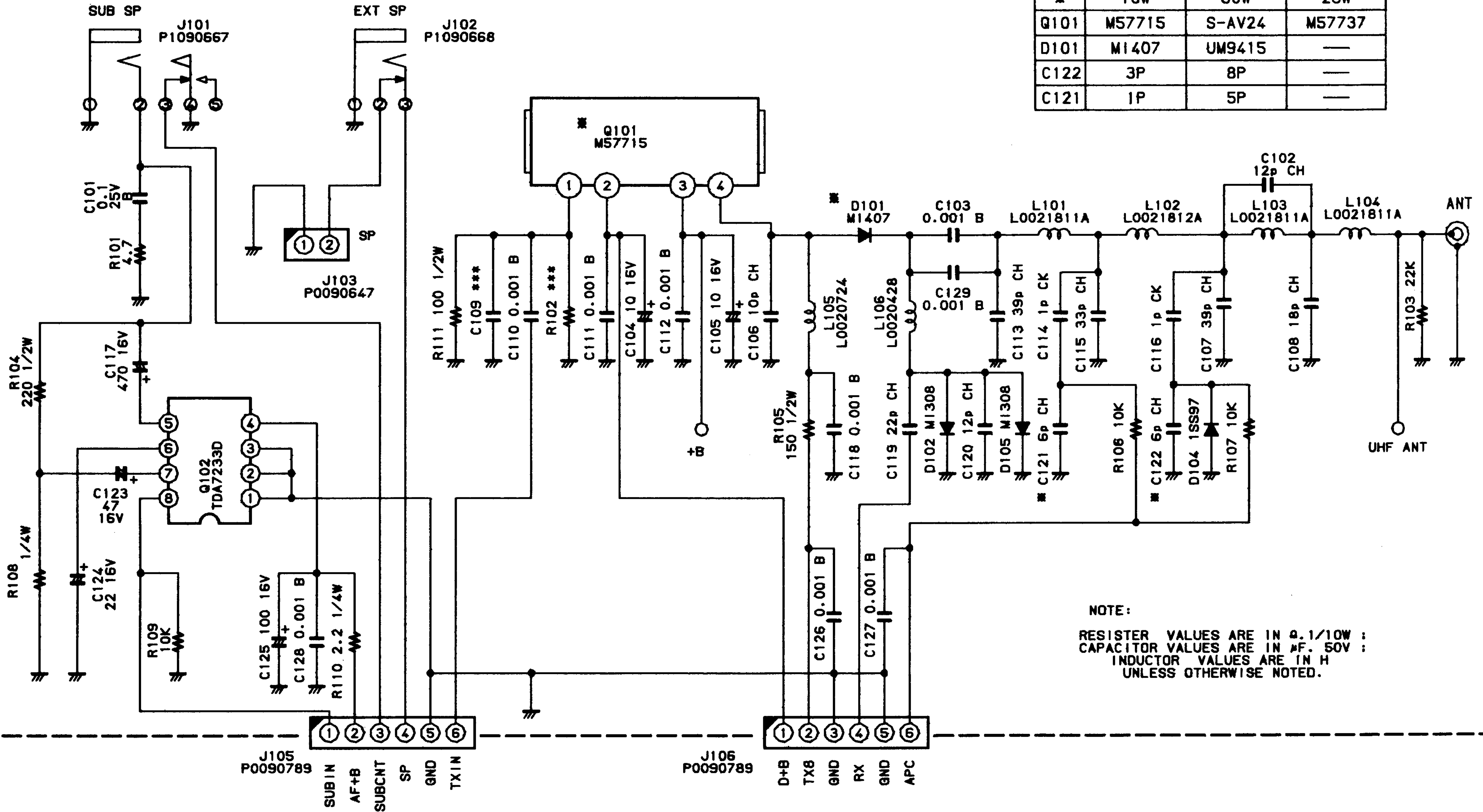


144 PA UNIT

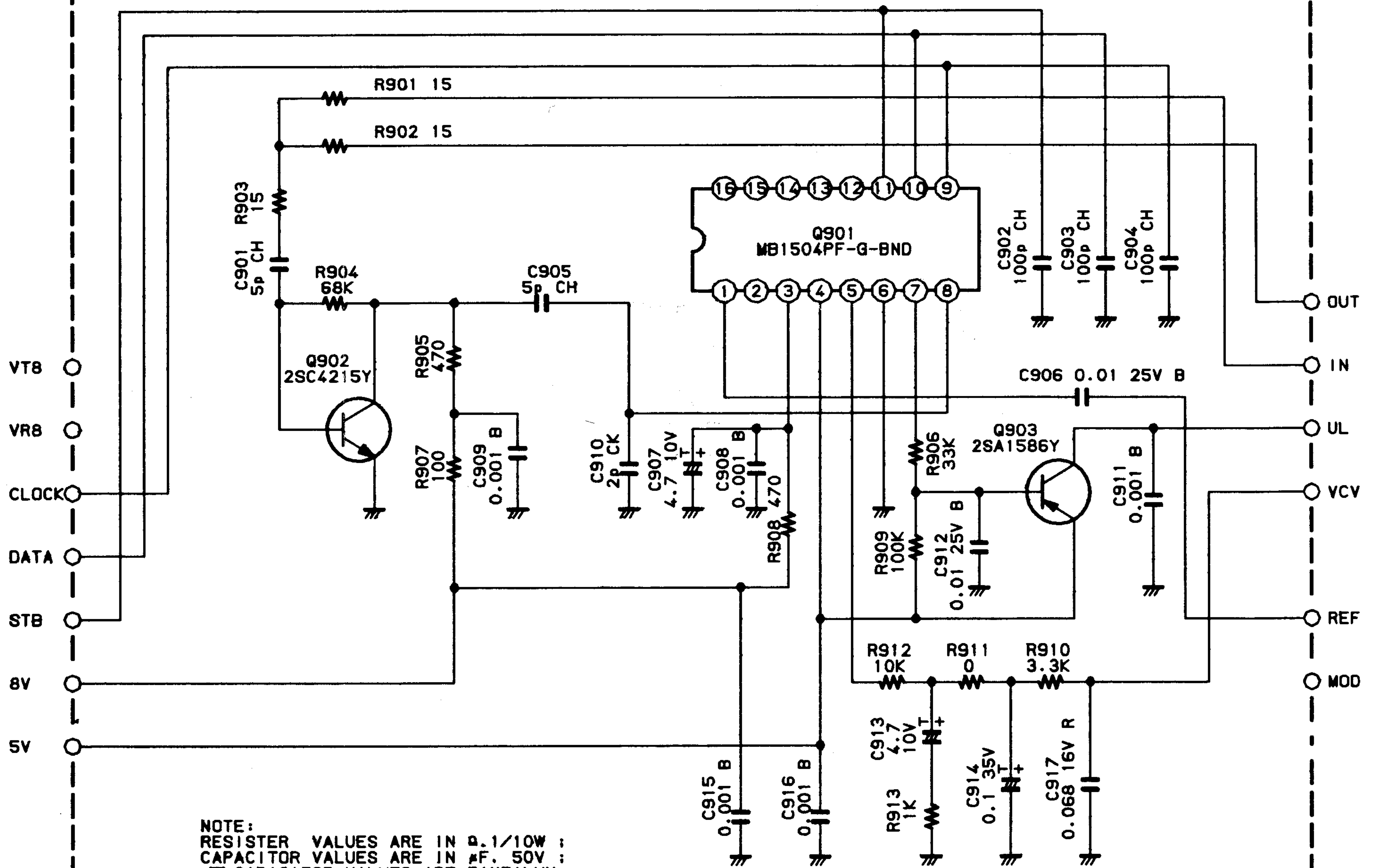
F3167101

#	10W	50W	25W
Q101	M57715	S-AV24	M57737
D101	M1407	UM9415	—
C122	3P	8P	—
C121	1P	5P	—



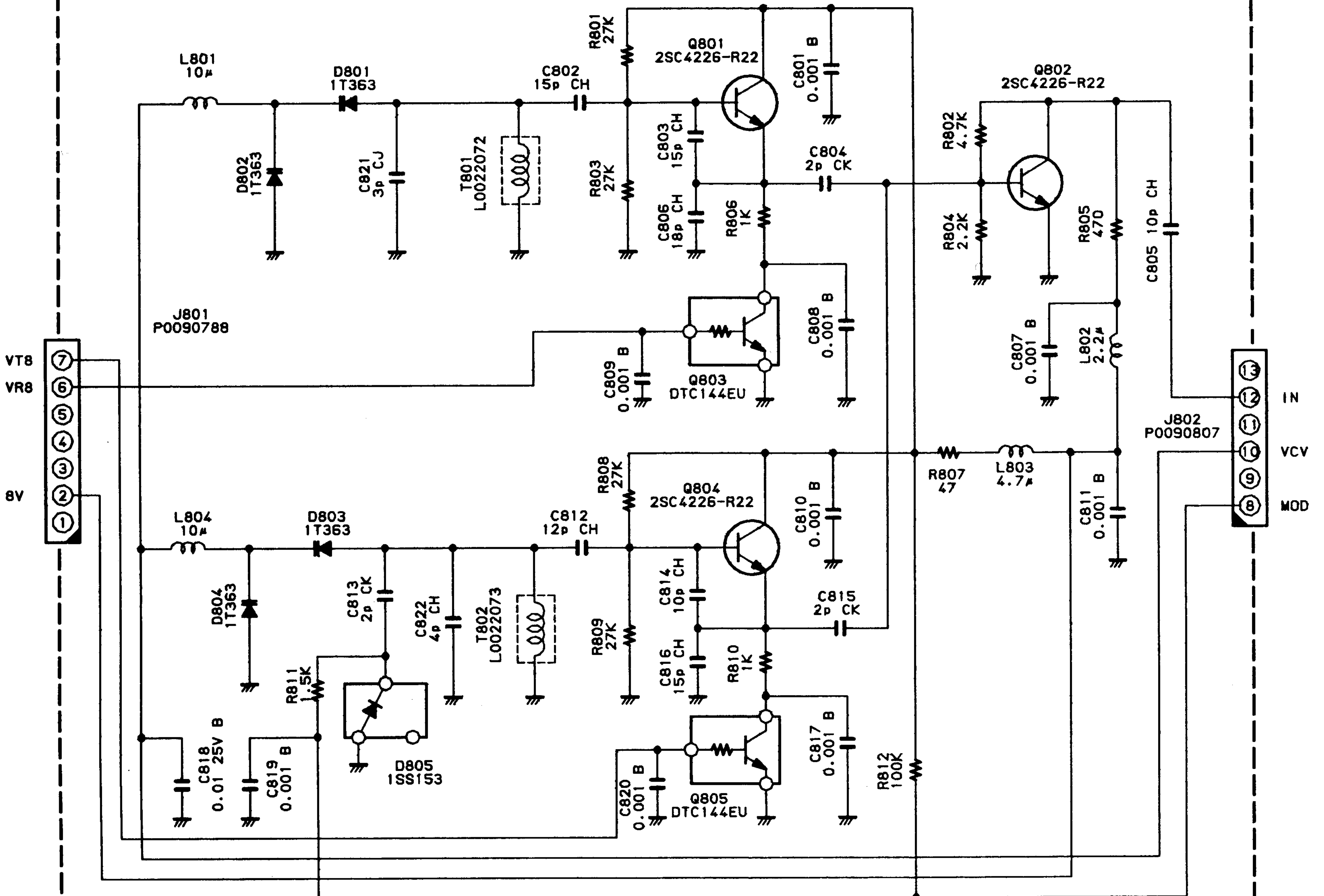
NOTE:
 RESISTER VALUES ARE IN Ω, 1/10W ;
 CAPACITOR VALUES ARE IN μF, 50V ;
 INDUCTOR VALUES ARE IN H
 UNLESS OTHERWISE NOTED.

144-PLL-UNIT F3169102



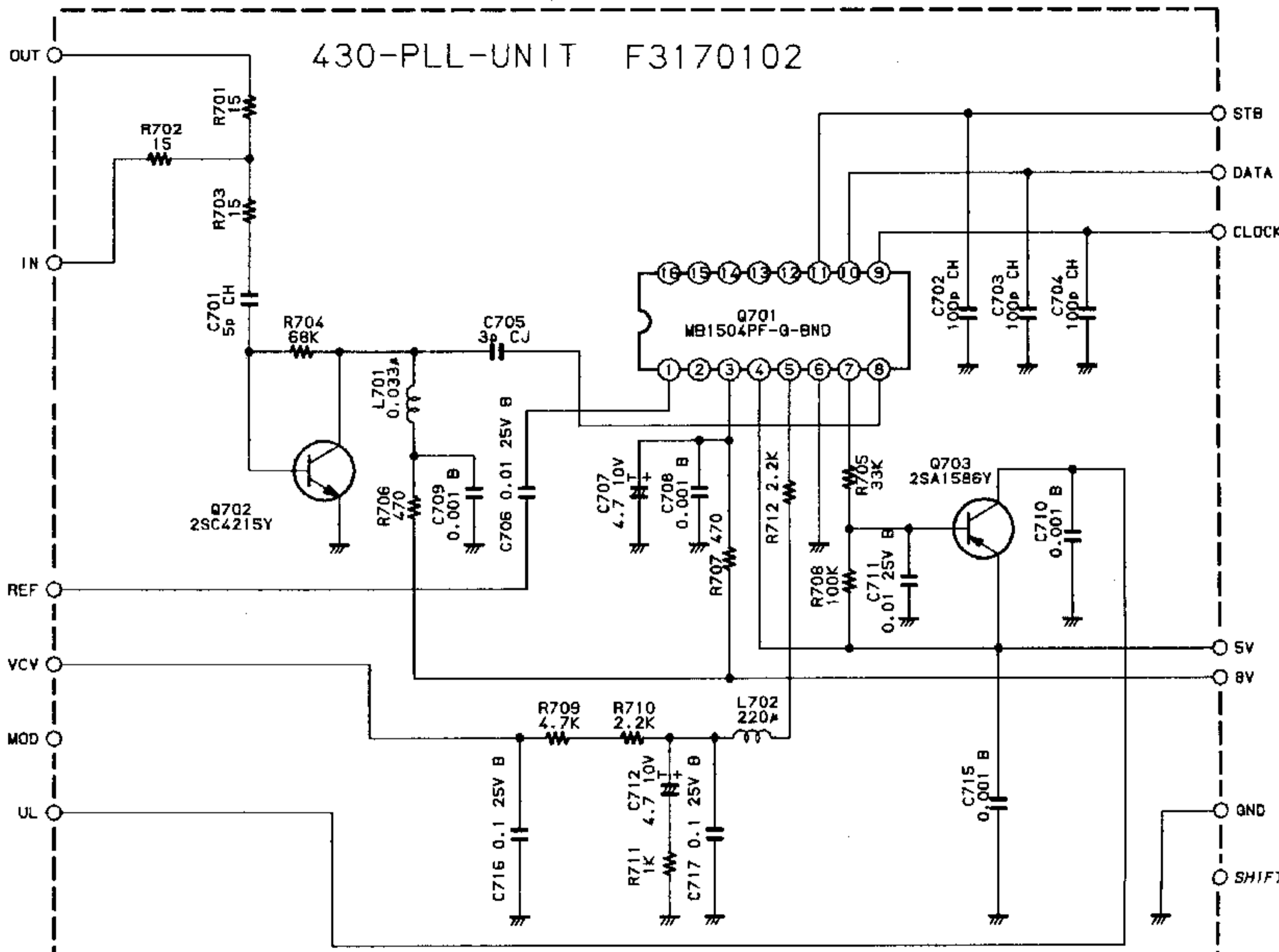
NOTE:
 RESISTOR VALUES ARE IN Ω, 1/10W ;
 CAPACITOR VALUES ARE IN μF, 50V ;
 (T) CAPACITOR VALUES ARE TANTALUM ;
 UNLESS OTHERWISE NOTED.

144-VCO-UNIT F3169101



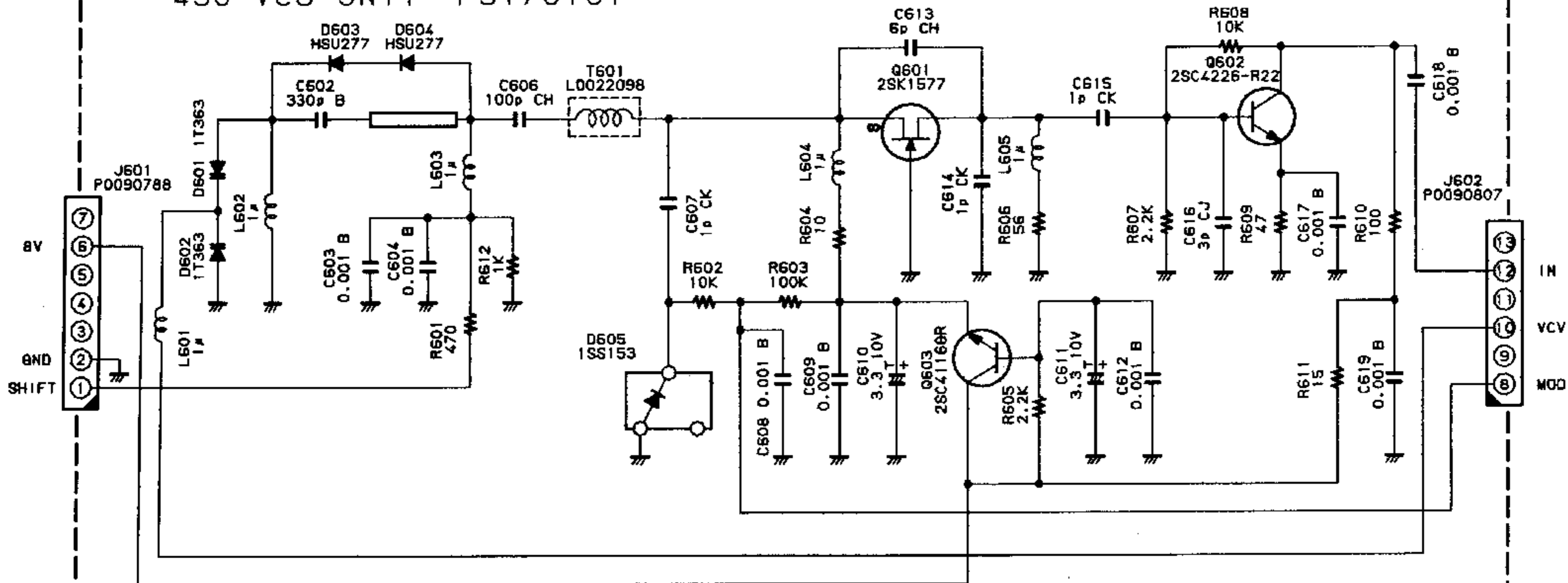
NOTE:
 RESISTOR VALUES ARE IN Ω, 1/16W ;
 CAPACITOR VALUES ARE IN μF, 50V ;
 INDUCTOR VALUES ARE IN H
 UNLESS OTHERWISE NOTED.

430-PLL-UNIT F3170102



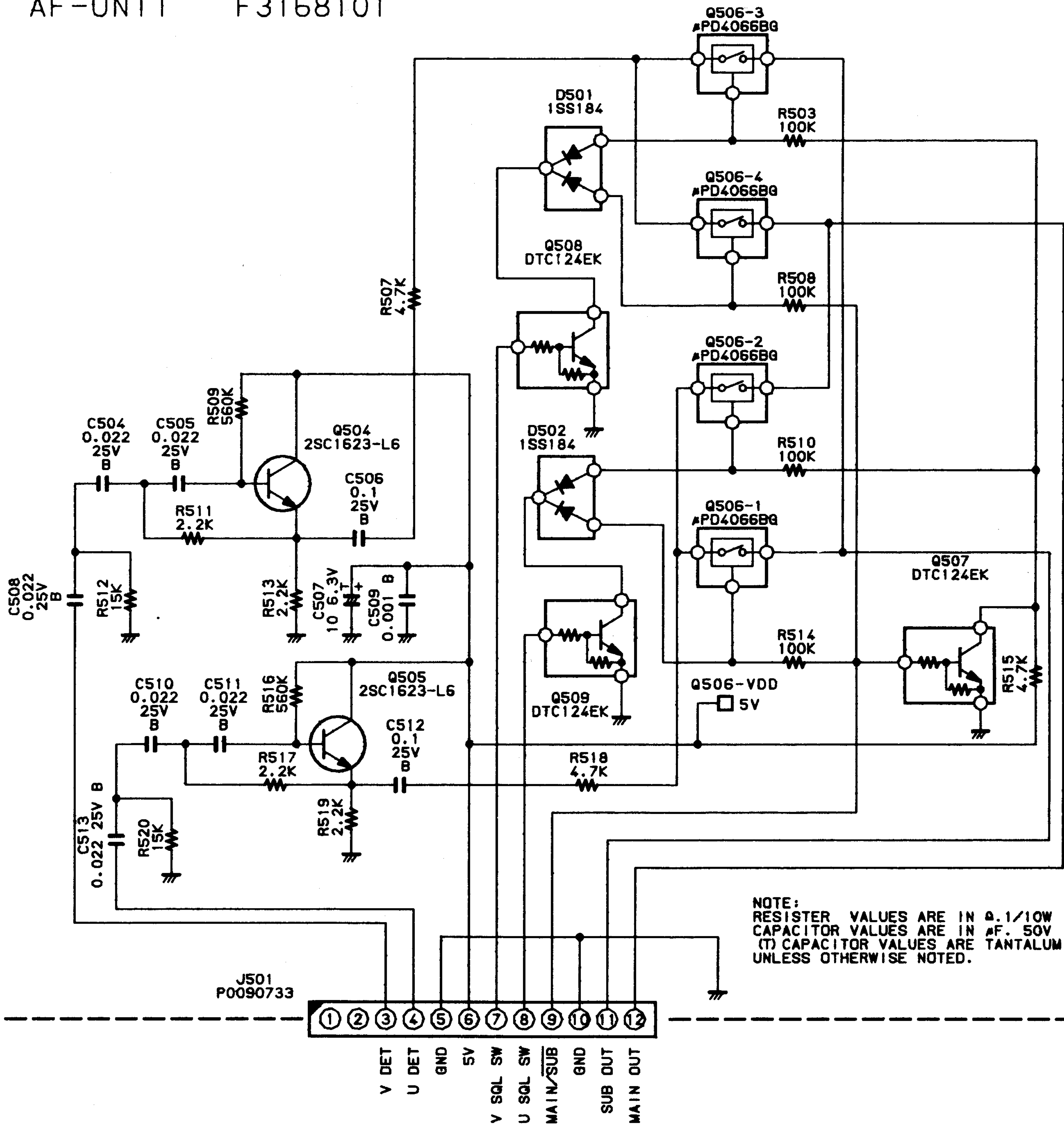
NOTE:
 RESISTOR VALUES ARE IN Ω , 1/16W ;
 CAPACITOR VALUES ARE IN μ F, 50V ;
 (T) CAPACITOR VALUES ARE TANTALUM ;
 INDUCTOR VALUES ARE IN H
 UNLESS OTHERWISE NOTED.

430-VCO-UNIT F3170101



NOTE:
 RESISTER VALUES ARE IN Ω, 1/16W ;
 CAPACITOR VALUES ARE IN μF, 50V ;
 (T) CAPACITOR VALUES ARE TANTALUM ;
 INDUCTOR VALUES ARE IN H
 UNLESS OTHERWISE NOTED.

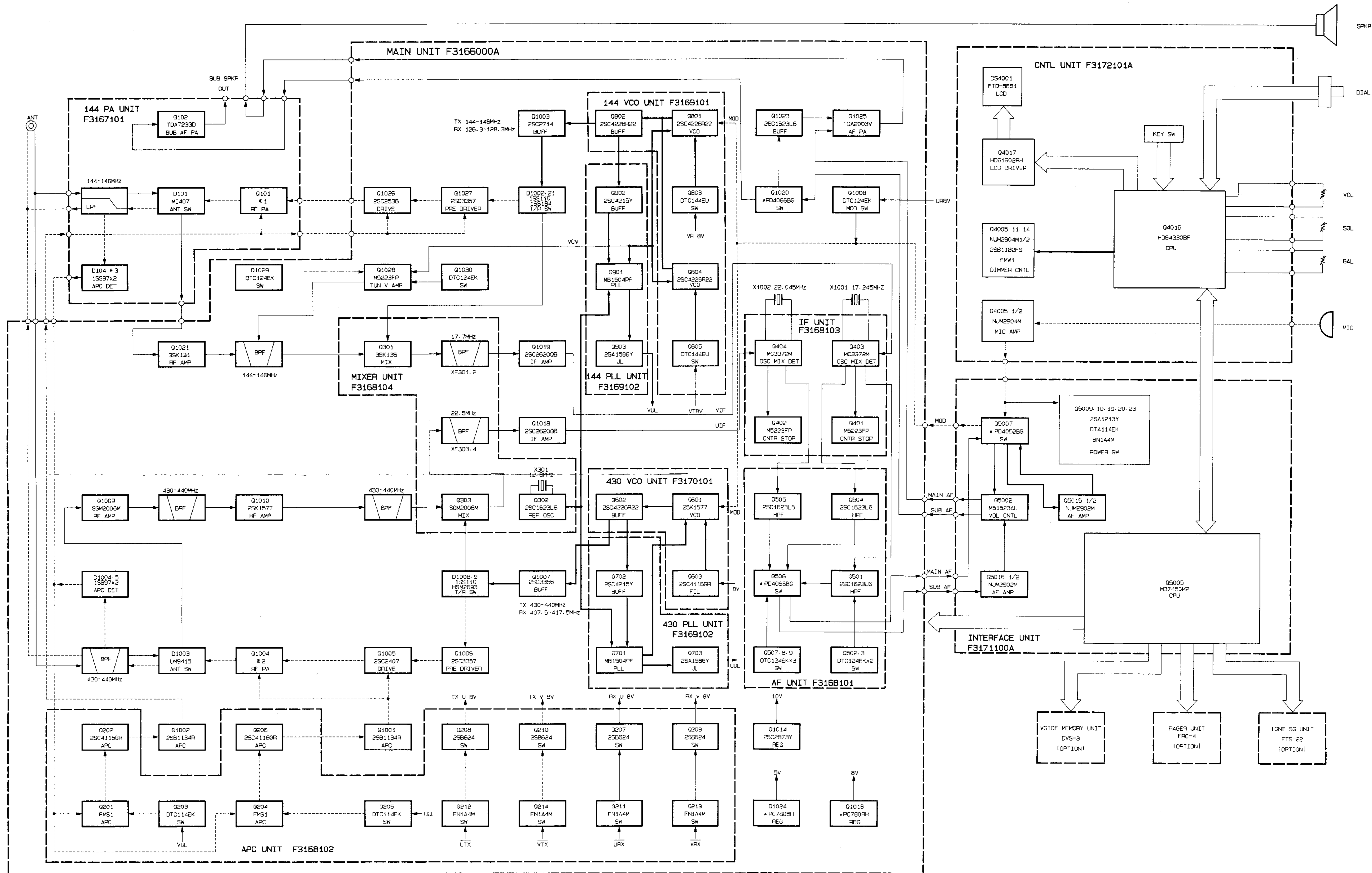
AF-UNIT F3168101



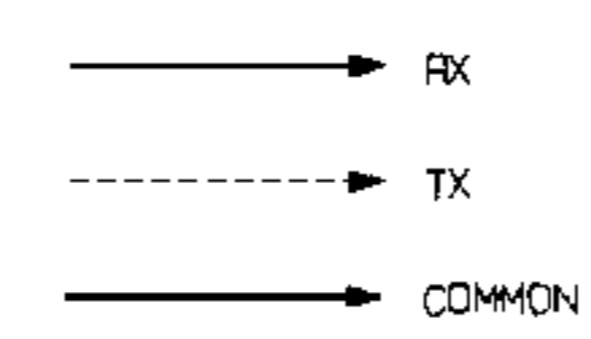
NOTE:
 RESISTOR VALUES ARE IN Ω.1/10W ;
 CAPACITOR VALUES ARE IN μF. 50V ;
 (T) CAPACITOR VALUES ARE TANTALUM ;
 UNLESS OTHERWISE NOTED.

J501
 P0090733

- ① V DET
- ② U DET
- ③ GND
- ④ 5V
- ⑤ V SQL SW
- ⑥ U SQL SW
- ⑦ MAIN/SUB
- ⑧ GND
- ⑨ SUB OUT
- ⑩ MAIN OUT
- ⑪
- ⑫

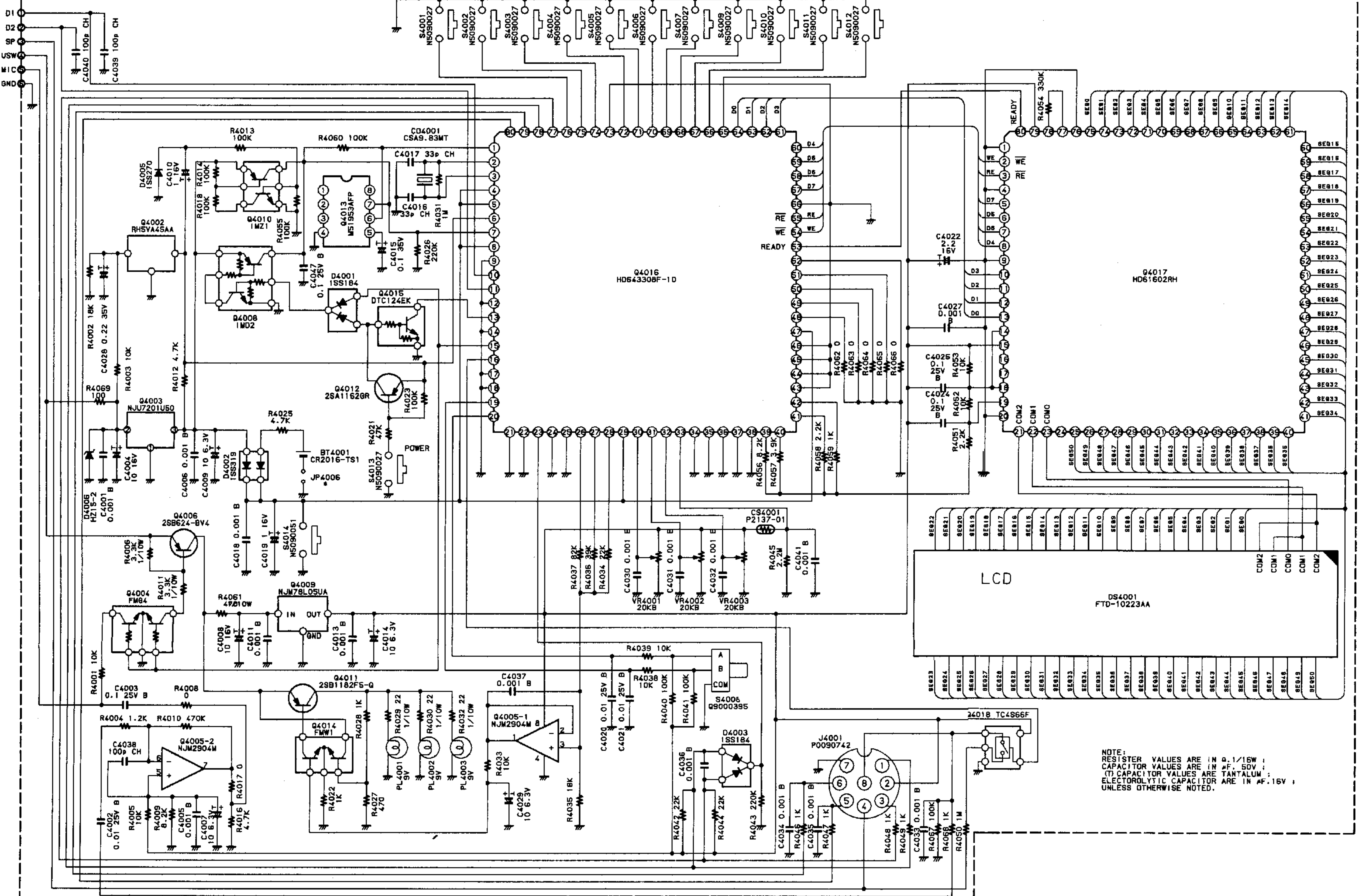


	#1	#2	#3
L	M57715	M57704MR	
M	M57737	M5778BMR	1SS97
H	S-AV24	M5778BMR	1SS97



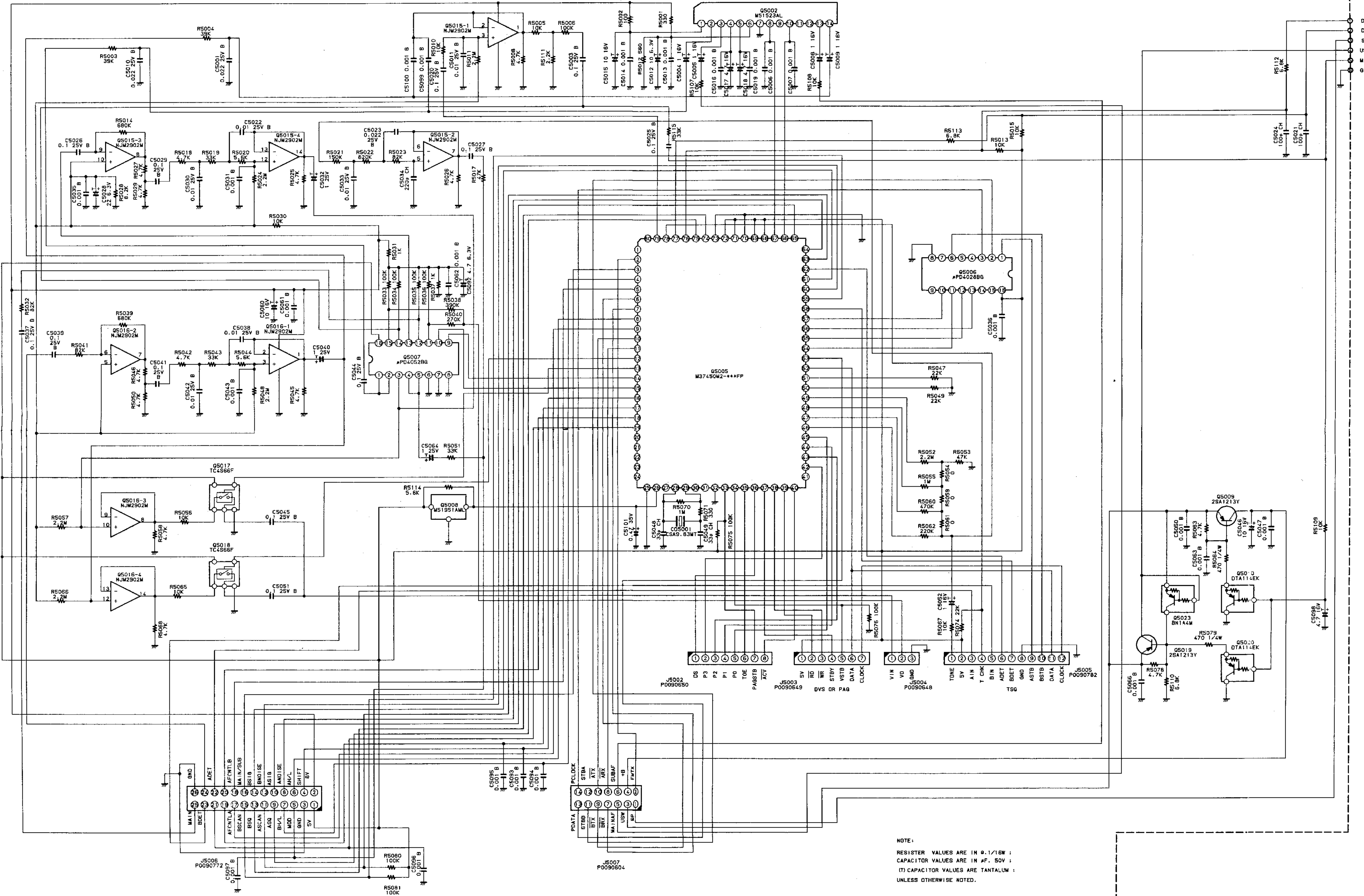
SPKR
DTAL
VOL
SQL
BAL
MIC

CNTL UNIT F3172101A



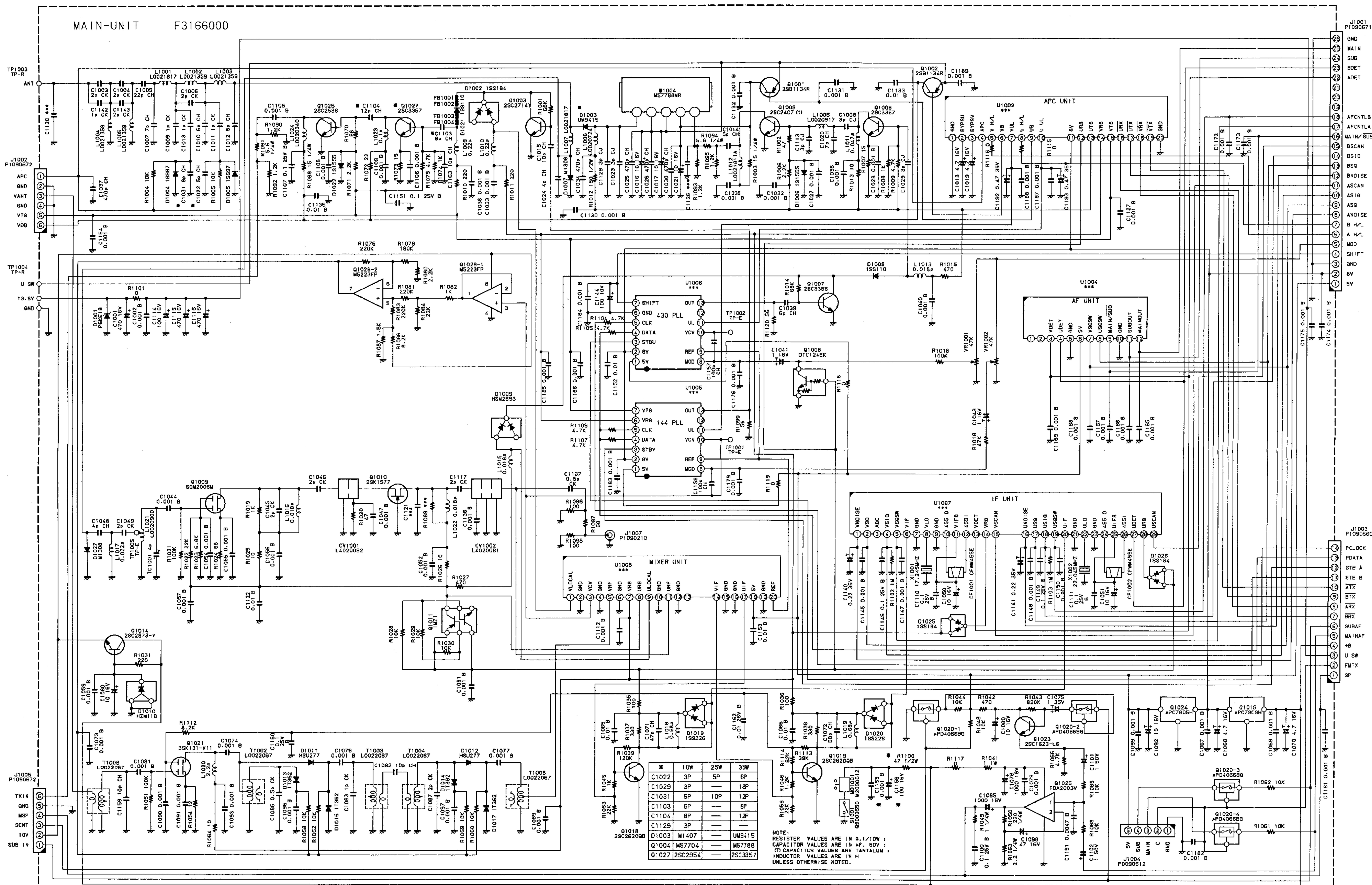
NOTE:
 RESISTOR VALUES ARE IN Ω, 1/16W ;
 CAPACITOR VALUES ARE IN μF, 50V ;
 (T) CAPACITOR VALUES ARE TANTALUM ;
 ELECTROLYTIC CAPACITOR ARE IN μF, 16V ;
 UNLESS OTHERWISE NOTED.

INTERFACE UNIT



NOTE:
 RESISTOR VALUES ARE IN Ω , 1/16W ;
 CAPACITOR VALUES ARE IN μ F, 50V ;
 (T) CAPACITOR VALUES ARE TANTALUM ;
 UNLESS OTHERWISE NOTED.

MAIN-UNIT F3166000



	10W	25W	35W
C1022	3P	5P	6P
C1029	3P	5P	18P
C1031	5P	10P	12P
C1103	6P		8P
C1104	8P		12P
C1129	3P		
D1003	M1407		UM5415
Q1004	M57704		M57788
Q1027	Z5C2954		Z5C3357

NOTE:
RESISTOR VALUES ARE IN Ω, 1/10W ;
CAPACITOR VALUES ARE IN μF, 50V ;
(T) CAPACITOR VALUES ARE TANTALUM ;
INDUCTOR VALUES ARE IN H
UNLESS OTHERWISE NOTED.

- J1001 P1090671
- GND
- MAIN
- SUB
- BDET
- ADET
- AFCNTLB
- MAIN/SUB
- BSCAN
- BSIG
- BSQ
- BNOISE
- ASCAN
- ASIG
- ASQ
- ANOISE
- B H/L
- A H/L
- MOD
- SHIFT
- GND
- 8V
- 5V
- J1003 P1090560
- PCLOCK
- POATA
- STB A
- STB B
- ATX
- ARX
- BRX
- SUBAF
- MAINAF
- +B
- U SW
- FMTX
- SP

MIXER-UNIT F3168104

